

1

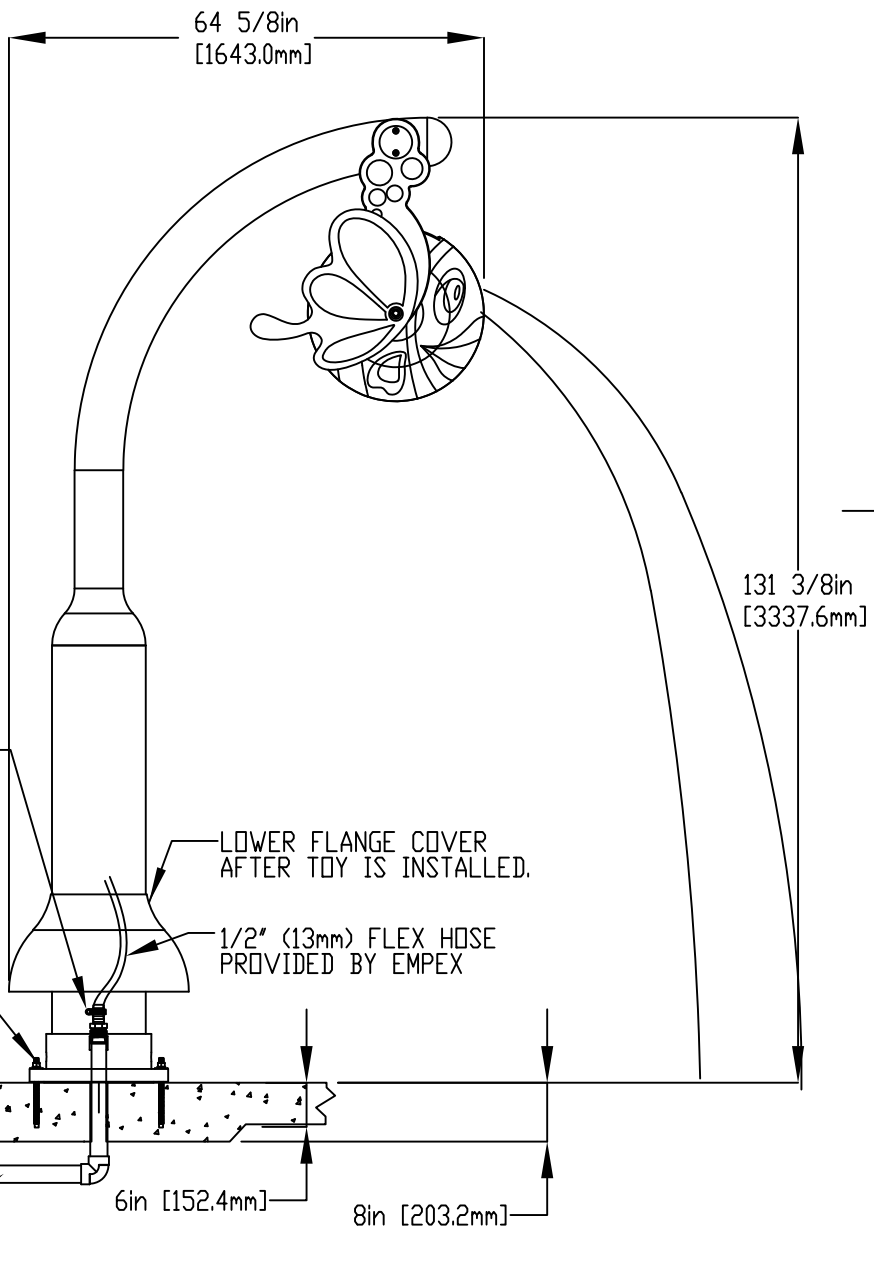
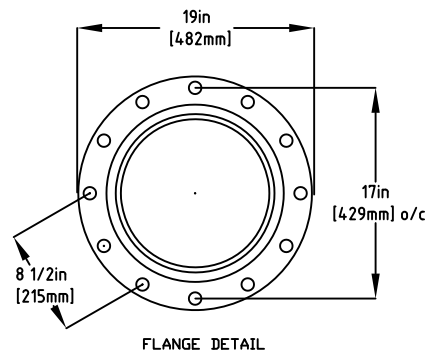
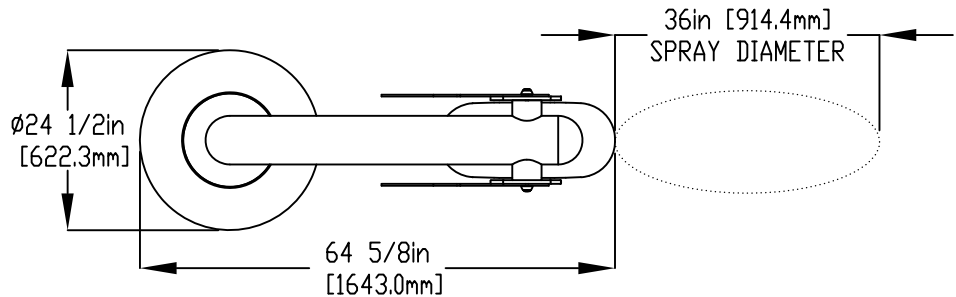
2

3

4

NOTES:

- (1) PURGE ALL WATER SUPPLY LINES TO REMOVE SOLIDS PRIOR TO TOY INSTALLATION.
- (2) PROVIDE ELECTRICAL BOND WITH POOL REBAR.
- (3) INSTALL ALL WATER TOYS PLUMB AND LEVEL.
- (4) PROVIDE STRAINER UPSTREAM OF TOY WITH MAX 1/32" (0.8mm) PERFORATIONS.



- 2" (50mm) COUPLING
- 2" (50mm)-1/2" (13mm) REDUCER
- 1/2" (13mm) HOSE BARB W/SS CLAMP TO BE PROVIDED BY CONTRACTOR
- 5/8" (16mm) X 9" (230mm) 316SS THREADED ROD W/ FENDERWASHER LOCKWASHER & NUT, MIN (X6) WITH 6" (150mm) EMBEDMENT. USE TO BE PROVIDED BY CONTRACTOR

LOWER FLANGE COVER AFTER TOY IS INSTALLED.

1/2" (13mm) FLEX HOSE PROVIDED BY EMPEX

WATERFEED
2" (50mm) PVC SCH 40 PIPE EXTENDED 6" (152.2mm) ABOVE SLAB.

A

A

B

B

C

C

D

D

E

E

F

F



Notes: Overall dimensions of toys are approximate.
Approximate Weight: 178lbs / 80.9kgs

© EMPEX WATERTOYS

WATER SUPPLY
10 gpm @ 25 psi
0.63 L/S @ 17.5m

AQUADUNK FLYIN FISH

T816-FF 3/18/2020 SCALE: Sheet 1 of 1

1

2

3

4