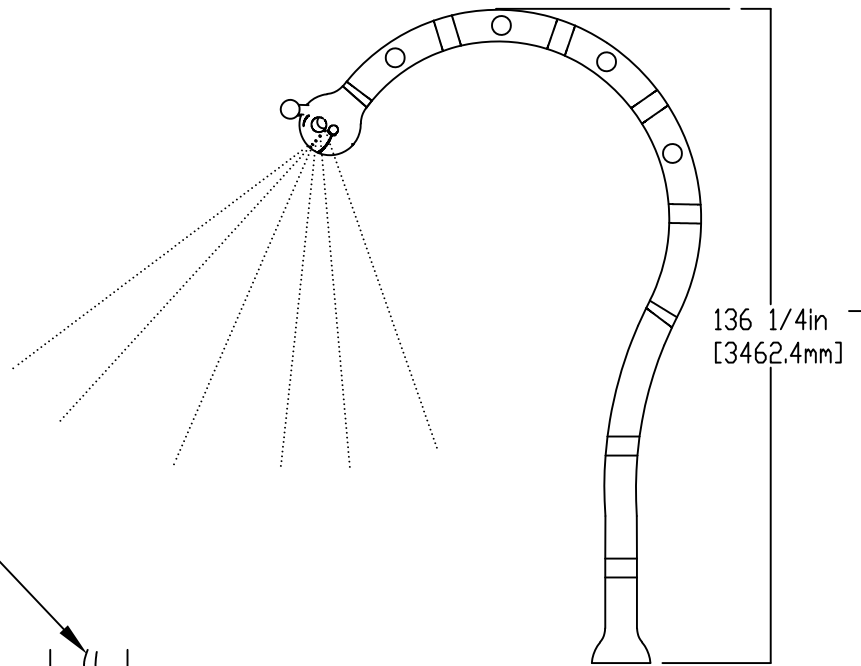
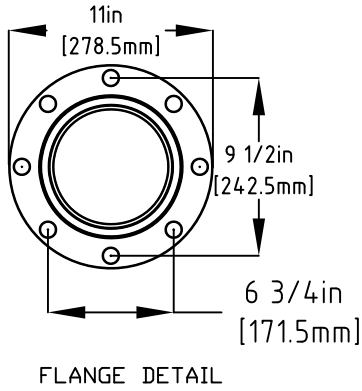
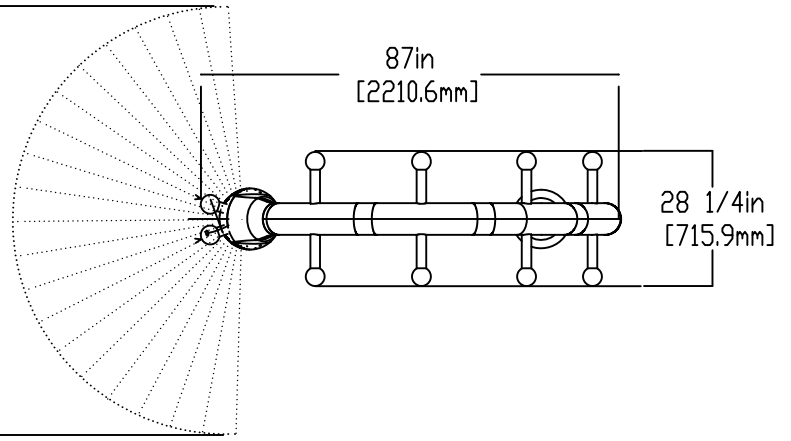


NOTES:

- (1) PURGE ALL WATER SUPPLY LINES TO REMOVE SOLIDS PRIOR TO TOY INSTALLATION.
- (2) PROVIDE ELECTRICAL BOND WITH POOL REBAR.
- (3) INSTALL ALL WATER TOYS PLUMB AND LEVEL.
- (4) PROVIDE STRAINER UPSTREAM OF TOY WITH MAX 1/32" (0.8mm) PERFORATIONS.

89 1/4in
[2269.7mm]
SPRAY
AREA

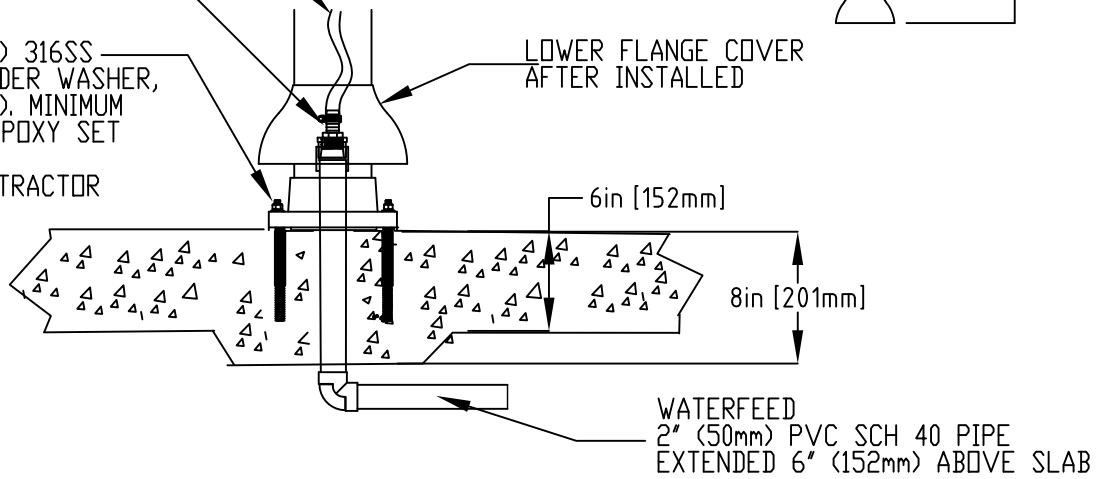


1" (25mm) FLEX HOSE
PROVIDED BY EMPEX

2" (50mm) COUPLING
2" (50mm) - 1" (25mm) REDUCER
1" (25mm) HOSEBARB W/ SS CLAMP
TO BE PROVIDED BY CONTRACTOR

5/8" (16mm) X 9" (229mm) 316SS
THREADED ROD, C/W FENDER WASHER,
LOCK WASHER & NUT (X6). MINIMUM
6" (152mm) EMBEDMENT, EPOXY SET
ANCHOR ADHESIVE
TO BE PROVIDED BY CONTRACTOR

LOWER FLANGE COVER
AFTER INSTALLED



Notes: Overall dimensions of toys are approximate.

© EMPEX WATERTOYS



WATER SUPPLY
30 gpm @ 25 psi
1.89 L/S @17.5m

AQUAPEDE

TR274

10/05/2022

SCALE:

Sheet
1 of 1